

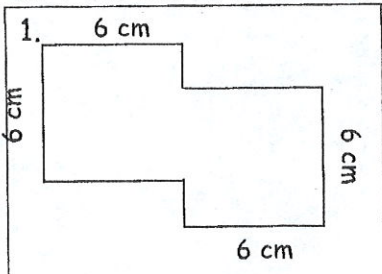
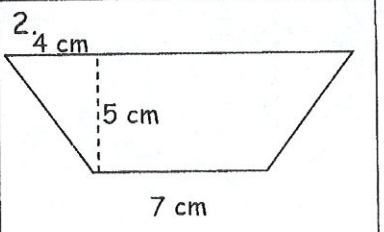
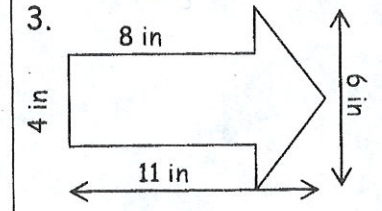
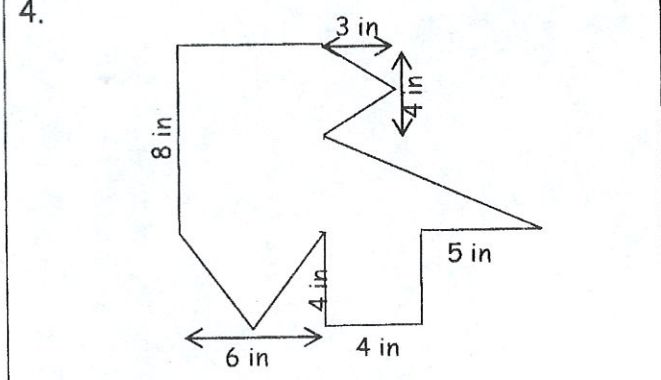
Name \_\_\_\_\_

Date \_\_\_\_\_

### Decomposing Polygons to Find Area

Directions: Decompose each polygon into rectangles and triangles to find the area.

1. Section the shape into rectangles and/or triangles.
2. Find the area of each rectangle and triangle.
3. Find the total area of the polygon.

<p>1. </p> <p>Section into rectangles or triangles.</p>	<p>Work Space</p> <p>Total Area=</p>	<p>2. </p> <p>Section into rectangles or triangles.</p>	<p>Work Space</p> <p>Total Area=</p>
<p>3. </p> <p>Section into rectangles or rectangles</p>	<p>Work Space</p> <p>Total Area=</p>	<p>4. </p> <p>Section into rectangles or triangles.</p>	
<p>5. Create your own polygon. You will need to be able to divide your polygon into at least 3 triangles and/or rectangles. Solve.</p> <p>Total Area=</p>		<p>Work Space</p> <p>Total Area=</p>	